

POWERFLEX®

PART NUMBER

PFF19-1101G

DESCRIPTION

WISHBONE FRONT BUSH CAMBER ADJUSTABLE

INSTALLATION GUIDE

Contents (parts per pack):

- | | |
|-------------------------|-----------------------------|
| 2 x Polyurethane Bushes | 2 x Stainless Steel Sleeves |
| 1 x Adjustment Spanner | 2 x Stainless Steel Washers |
| 1 x PTFE Grease | |

Please read the complete fitting instructions and check package components before fitment. These fitting instructions are to be used as a guide and in conjunction with workshop manual.

It is recommended that:

- all work to be carried out by a licensed technician;
- all safety precautions adhered to;
- wheel alignment to be checked and adjusted as required after any suspension work.
- All fasteners must be tensioned to manufacturer's torque settings.

Fitting Instructions:

1. Remove the front wishbone from the vehicle.
2. Remove the original bush from the front position of the wishbone, this may require a press or cutting tools.
3. Clean any dirt or corrosion from the bore of the wishbone, and remove any burrs or sharp edges. Roughen the inside surface of with coarse sandpaper
4. Press the bush into the arm in the orientation shown in Figure 1.
5. Apply some of the supplied grease to the bore and face of the bush.
6. Assemble the sleeve and washer as in Figure 1, and push them into the bush in the orientation shown in Figure 2. This is the configuration for most negative camber.
7. Refit wishbone to the vehicle, leaving the mounting bolt slightly loose. Using appropriate equipment, align wheel camber to desired settings by turning the hex-head of the stainless steel sleeve with the supplied spanner. Once desired camber angle is achieved, tighten all hardware to manufacturer's recommended torque specs.
8. This product will allow Camber adjustment up to +/- 0.5°, but this will affect other wheel alignment parameters, so have all wheel alignment checked and adjusted to suit.

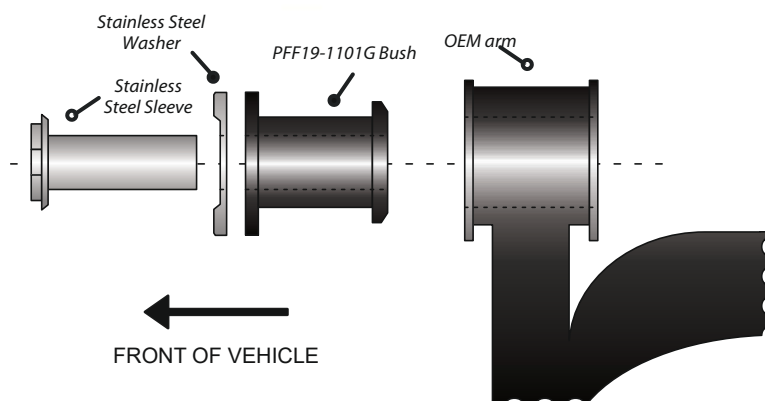


Figure 1

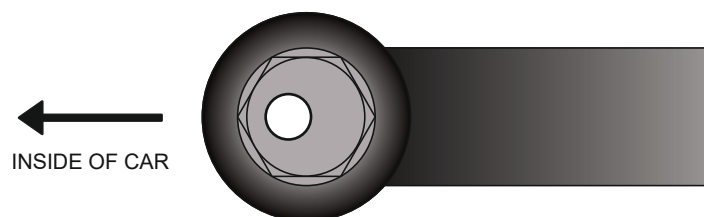


Figure 2: Sleeve position for maximum negative camber (-0.5°)



Figure 3