

# POWERFLEX®

PART NUMBER

**PFF19-2202G**

DESCRIPTION

FRONT WISHBONE REAR BUSH ADJ

## INSTALLATION GUIDE

### Contents (parts per pack):

- 2 x Caster Adjustable Polyurethane Bush Units
- 1 x 27AF Spanner

Please read the complete fitting instructions and check package components before fitment. These fitting instructions are to be used as a guide and in conjunction with workshop manual.

It is recommended that:

- all work to be carried out by a licensed technician;
- all safety precautions adhered to;
- wheel alignment to be checked and adjusted as required after any suspension work.
- All fasteners must be tensioned to manufacturer's torque settings.

### Fitting Instructions:

1. Remove the original rubber bush and outer shell from the front arm.
2. Clean any dirt and corrosion from the bore of the arm. Remove any sharp edges with a rounded file.
3. Push the pre-built bush assembly into the arm from the top, so the lip of the shell sits flush on top of the arm as shown in figure 1.

**WARNING: Do not press on the centre ball or adjustable sleeve, press on the metal outer shell only to prevent damaging the bush.**

4. For maximum caster adjustment, rotate the centre sleeve with the supplied spanner so that the hole offset is nearer to the inside of the car, as shown in figure 2. This setting can be adjusted to suit your preference.
5. Refit the arm to the vehicle and tension all hardware to the manufacturers recommended torque settings.
6. Check and adjust wheel alignment accordingly.



Figure 1

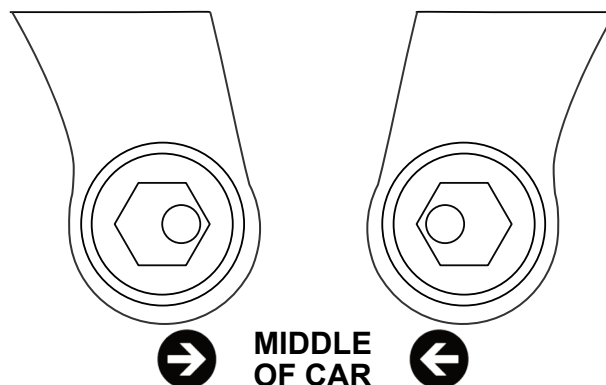


Figure 2